

**Mini (7/8) 3 pole, Female 90° w/ Cable,**

PUR, UL/CSA, 3x16AWG, black, 1.5m

Female 90°

7/8" (3-pole)

Power cable

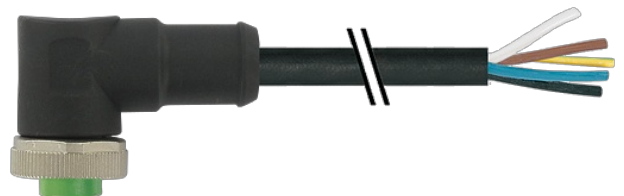
USA

without cable sleeves

Further cable lengths on request.

Plastic housings with good resistance against chemicals and oils.

The resistance to aggressive media should be individually tested for your application. Further details on request.

**[Link to Product](#)****Illustration**

Product may differ from Image

**Approvals**

\* only for products with UL/CSA approved cable

**Form**

Form A3031

**General data**

Mounting method	inserted, tightened
Pollution Degree	3
Temperature range	-25...+80 °C, depending on cable quality

**Cables**

Cable number	UMB
No./diameter of wires	3x 1.5 mm <sup>2</sup>
Wire isolation	TPM (br, bl, gnye)
C-track properties	5 Mio.
Jacket Color	black
Material (jacket)	PUR (UL/CSA)
Outer Ø	7.4 mm ±5%
Bend radius (fixed)	7.5x outer Ø
Bend radius (moving)	10x outer Ø
Temperature range (fixed)	-40...+80 °C
Temperature range (mobile)	-20...+80 °C

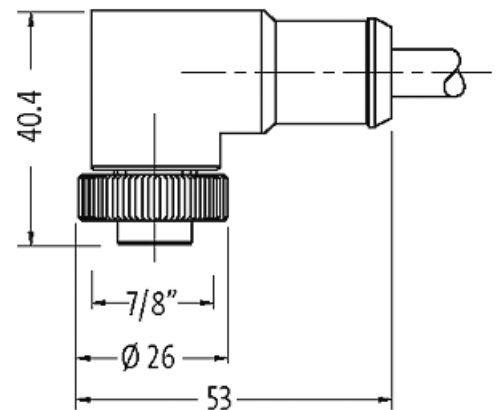
**Technical Data**

Operating voltage	max. 600 V AC/DC
-------------------	------------------

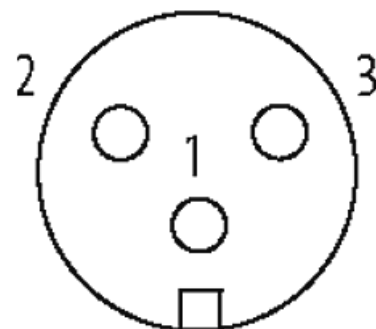
Rated surge voltage	4.0 kV
Operating current per contact	max. 12 A
No. of poles	3
LED display	no
Locking of ports	Screw thread 7/8" (recommended torque 1.5 Nm) self-securing
Compression gland	7/8" (SW24)
Protection	IP68 inserted and tightened (EN 60529)
Locking material	Zinc die casting, matte nickel plated
Material	PUR

**Commercial data**

country of origin	DE
customs tariff number	85444290
EAN	4048879634717
eClass	27279218
Packaging unit	1

**Sketch**

Female



Product may differ from Image